

Analog Breakout Revision 6

Copyright (c) 2009 FIRST
Some rights reserved.

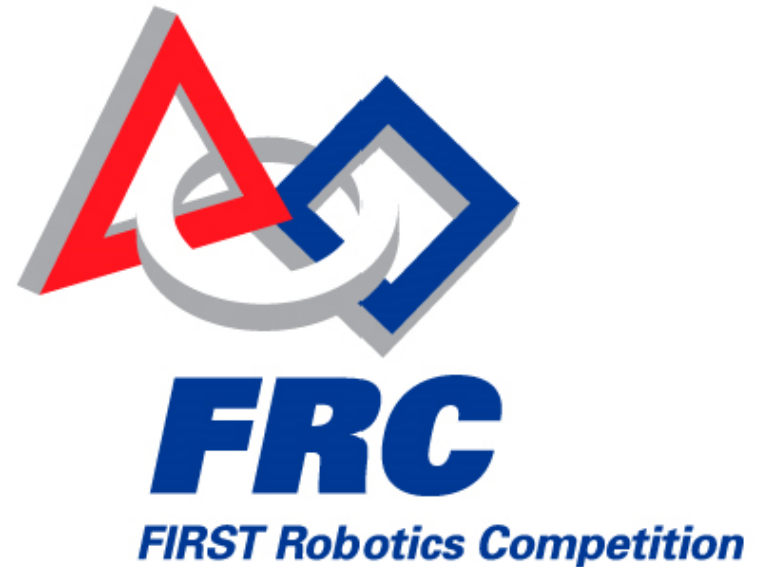


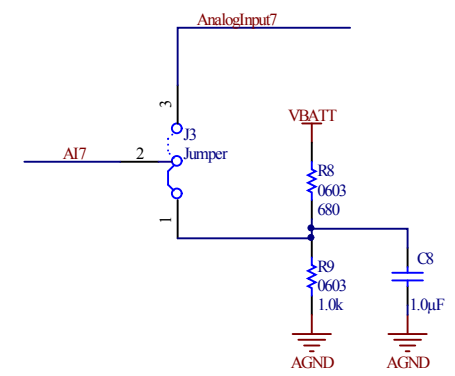
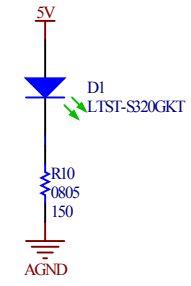
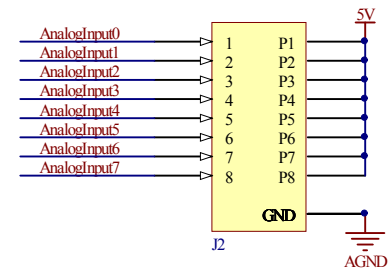
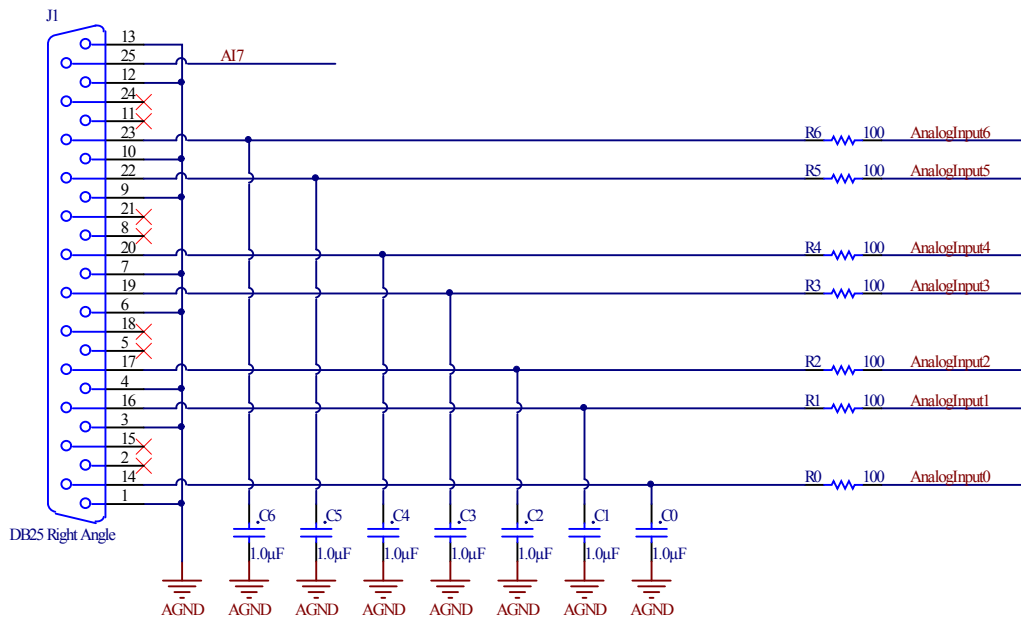
This design package is released under the Creative Commons Attribution-Share Alike 3.0 Unported License. For further legal information, see: <http://creativecommons.org/licenses/by-sa/3.0/>

Consult the FRC Robot Rules before modifying any components. Modifying a component may invalidate its use in the FRC competition and may be dangerous.

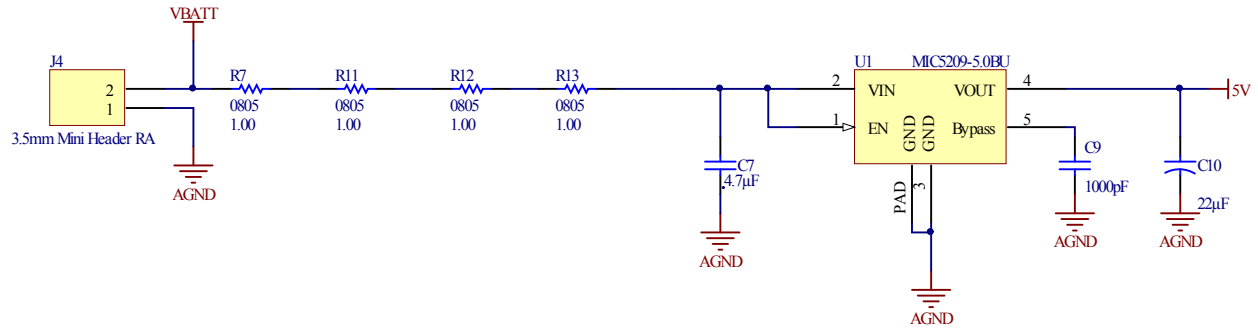
Derivative works may or may not be allowed in the FRC competition. Consult the FRC Robot Rules for details.

These design packages are made available primarily to serve as an educational tool. Mentors are strongly encouraged to use them to help their students learn more about electronics.



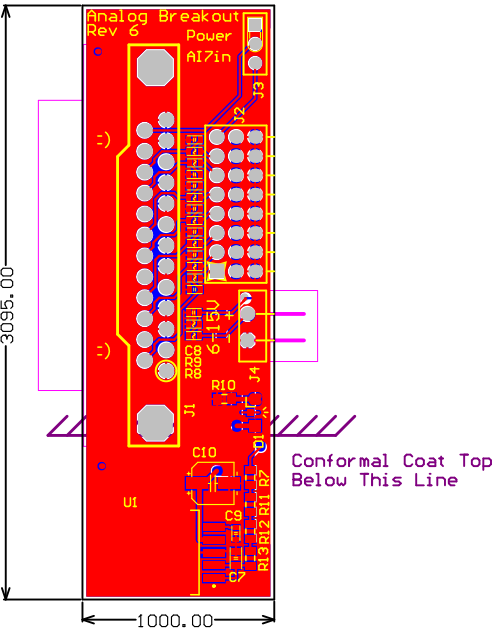


5V/250mA Low Noise LDO



Project			
Analog Breakout Rev 6			
Size	Page Title	Revision	
Letter	Analog Breakout	6	
Date:	8/24/2009	Sheet:	* of *
File:	AnalogBreakout.SchDoc	Drawn By:	EJVV

Project	Phoenix
Board	Analog Breakout
Rev	6
Engineer	Eric VanWyk Russ Beavis



Construction

Layers	2
Finished Thickness	063 +/- 30%
Solder Mask	Blue Top & Bottom
Silk Screen	Unspecified Color Top Only
Copper Weight	1/2 oz or thicker
Special	Conformal Coat Per Mechanical 6