

D

D

C

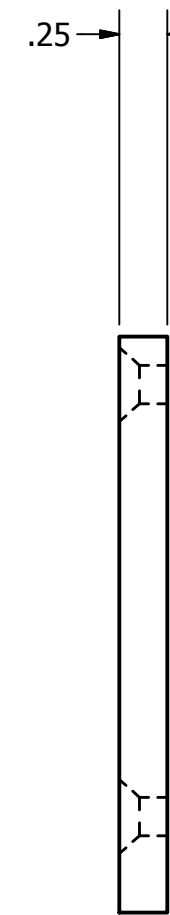
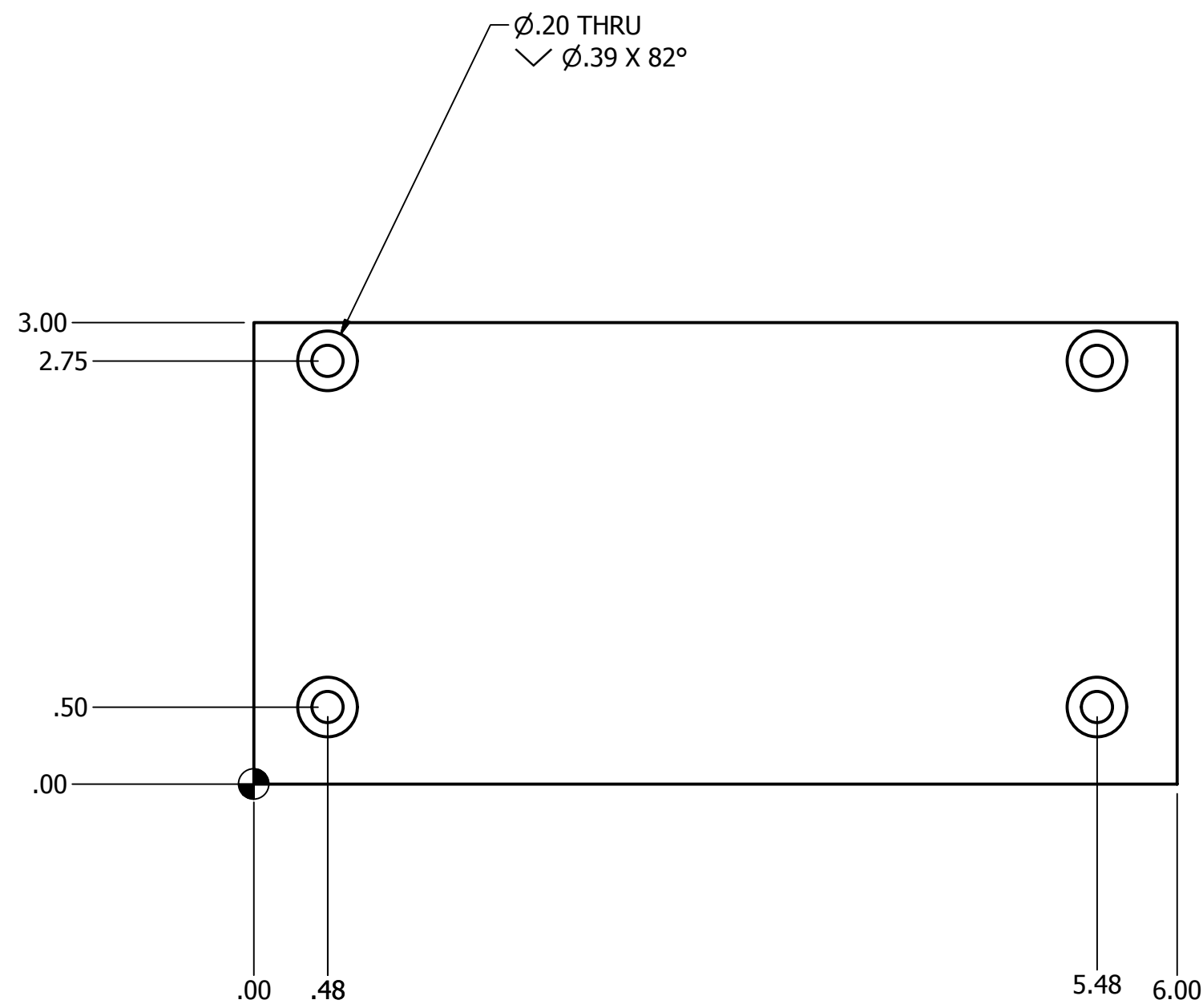
C

B

B

A

A



DRAWN stc21630	1/28/2013	TITLE		
CHECKED				
QA				
MFG				
APPROVED		SIZE C	DWG NO Winch Top Plate	REV
		SCALE	SHEET 1 OF 1	