

4

3

2

1

D

D

C

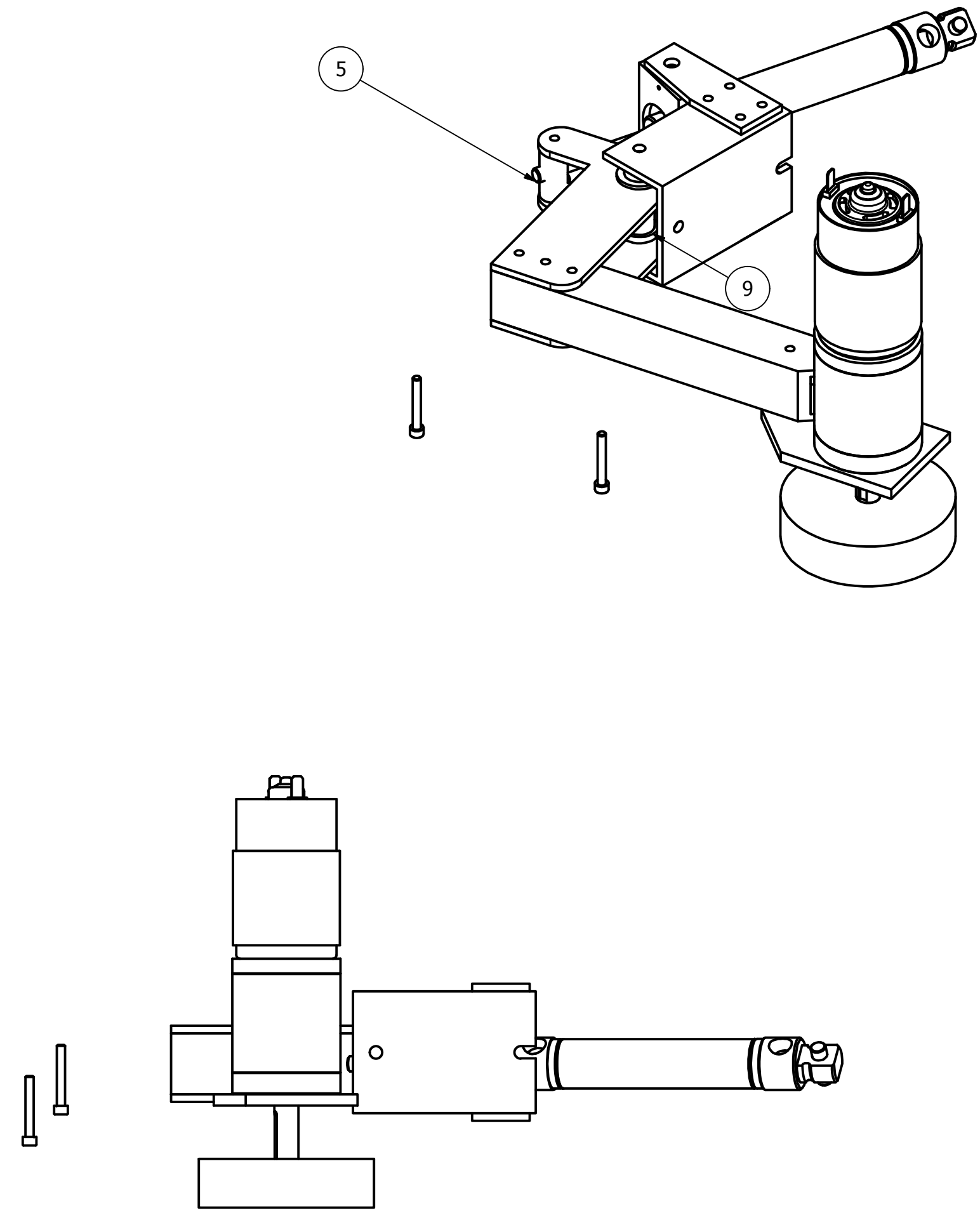
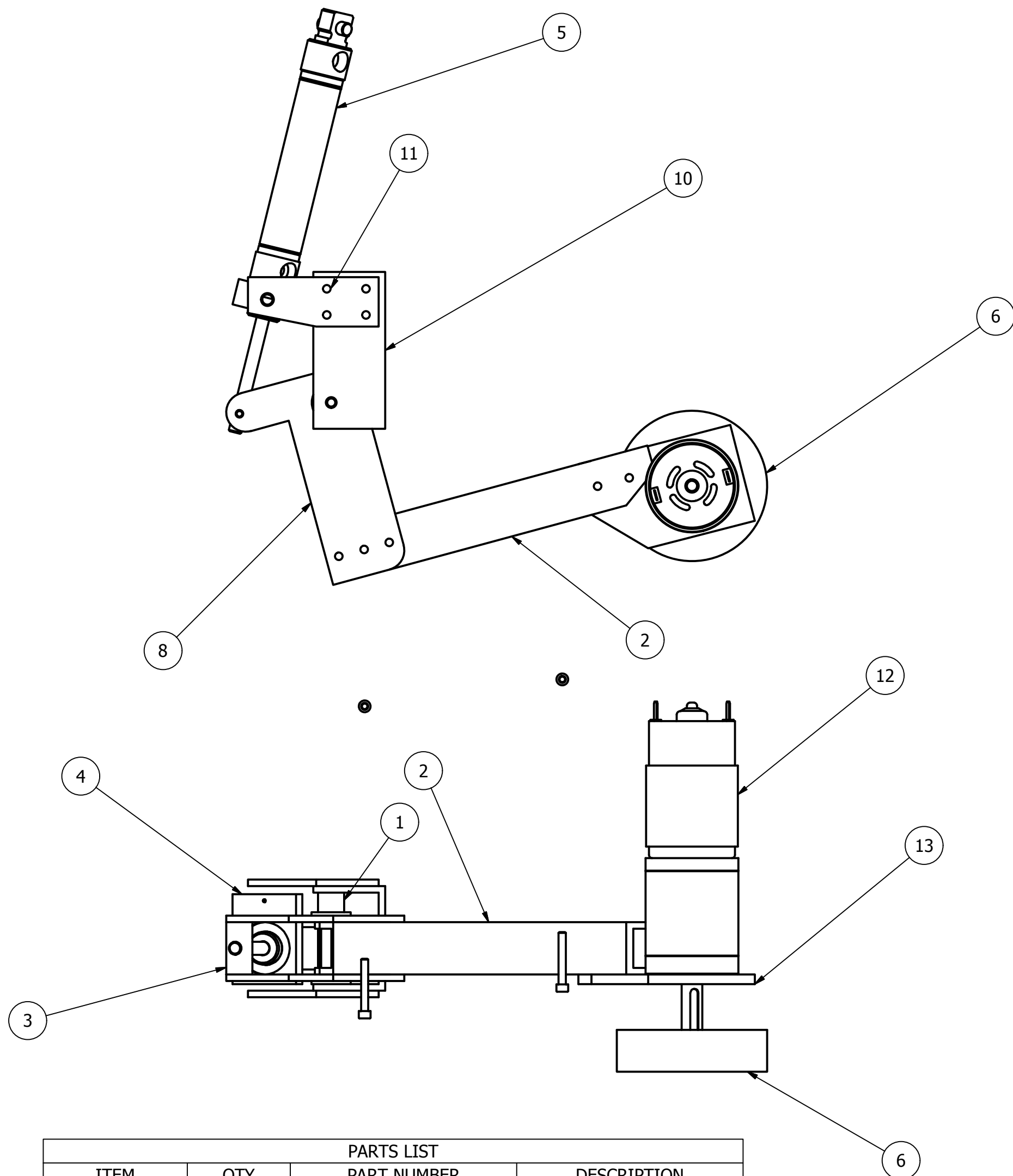
C

B

B

A

A



PARTS LIST			
ITEM	QTY	PART NUMBER	DESCRIPTION
1	1	pivot	
2	1	Tube2	
3	1	cylinder rod end mount	
4	1	cylinder pivot	
5	1	042-DP	Original Line Standard Air Cylinders-
6	1	banebot wheel	
7	2	ANSI B18.3 - 6-40 UNF - 1 HS HCS	Hexagon Socket Head Cap Screw
8	2	Transition Plate	
9	2	625 bushing	
10	1	Main Mount Channel	
11	2	Cylinder extension plate	
12	1	PG-71	
13	1	PG Motor Mounting Plate	

DRAWN stc21630	3/6/2015	TITLE		
CHECKED				
QA				
MFG		SIZE C	DWG NO Bin Acquisition PG	REV
APPROVED		SCALE	SHEET 1 OF 3	