

4

3

2

1

D

D

C

C

B

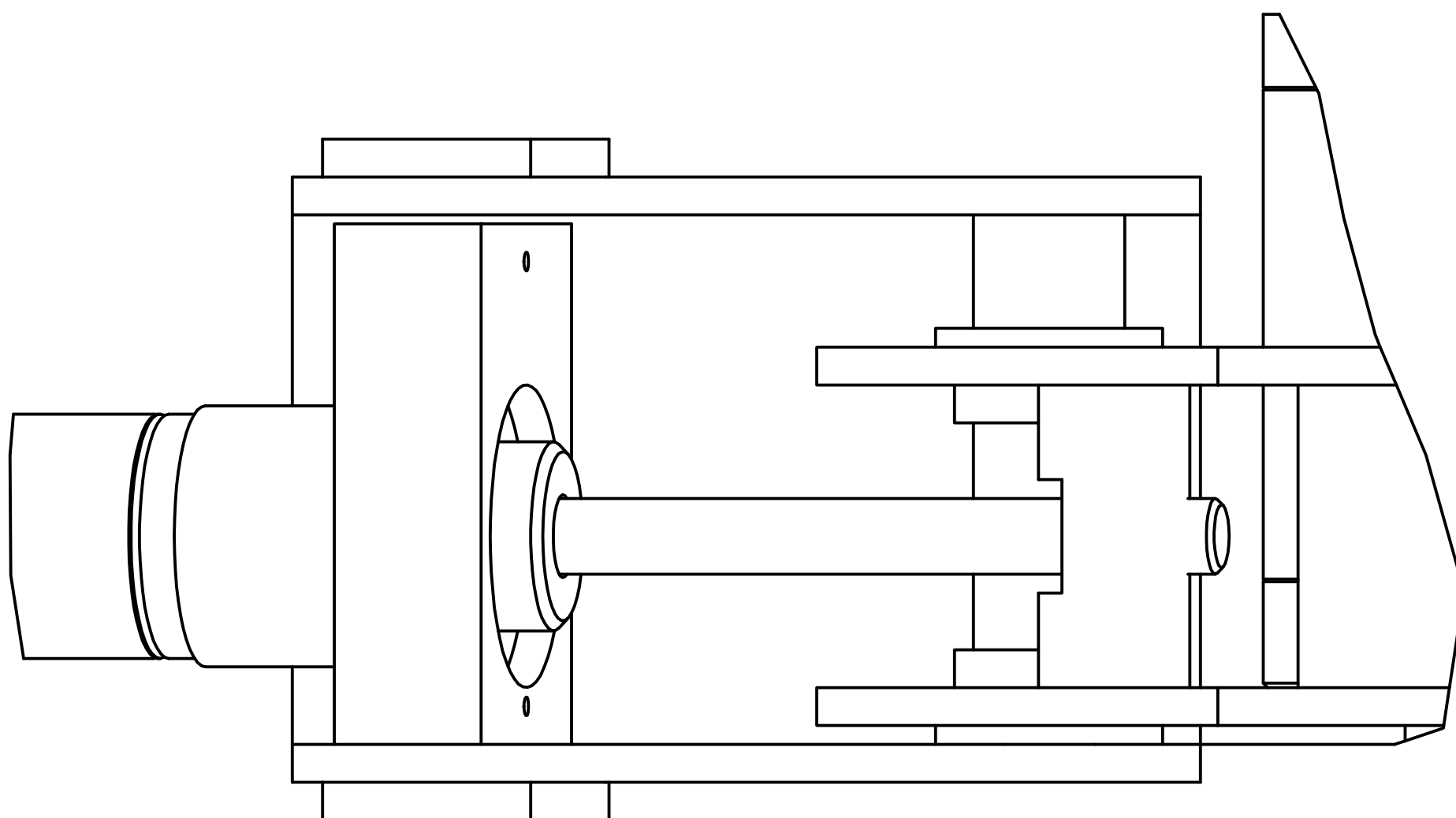
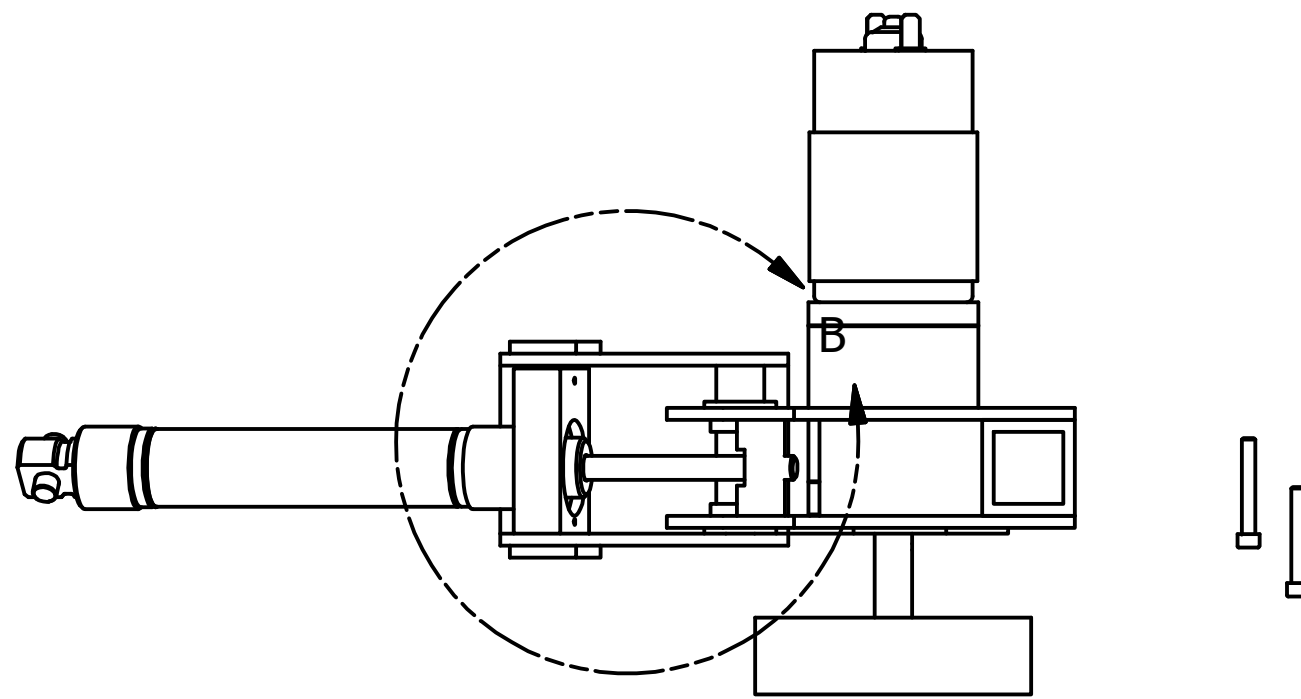
B

A

A

PRODUCED BY AN AUTODESK EDUCATIONAL PRODUCT

PRODUCED BY AN AUTODESK EDUCATIONAL PRODUCT



DETAIL B
SCALE 2 : 1

DRAWN stc21630	3/6/2015	TITLE		
CHECKED				
QA				
MFG		SIZE C	DWG NO Bin Acquisition PG	REV
APPROVED		SCALE	SHEET 2 OF 3	

4

3

2

1

A